

Introduction



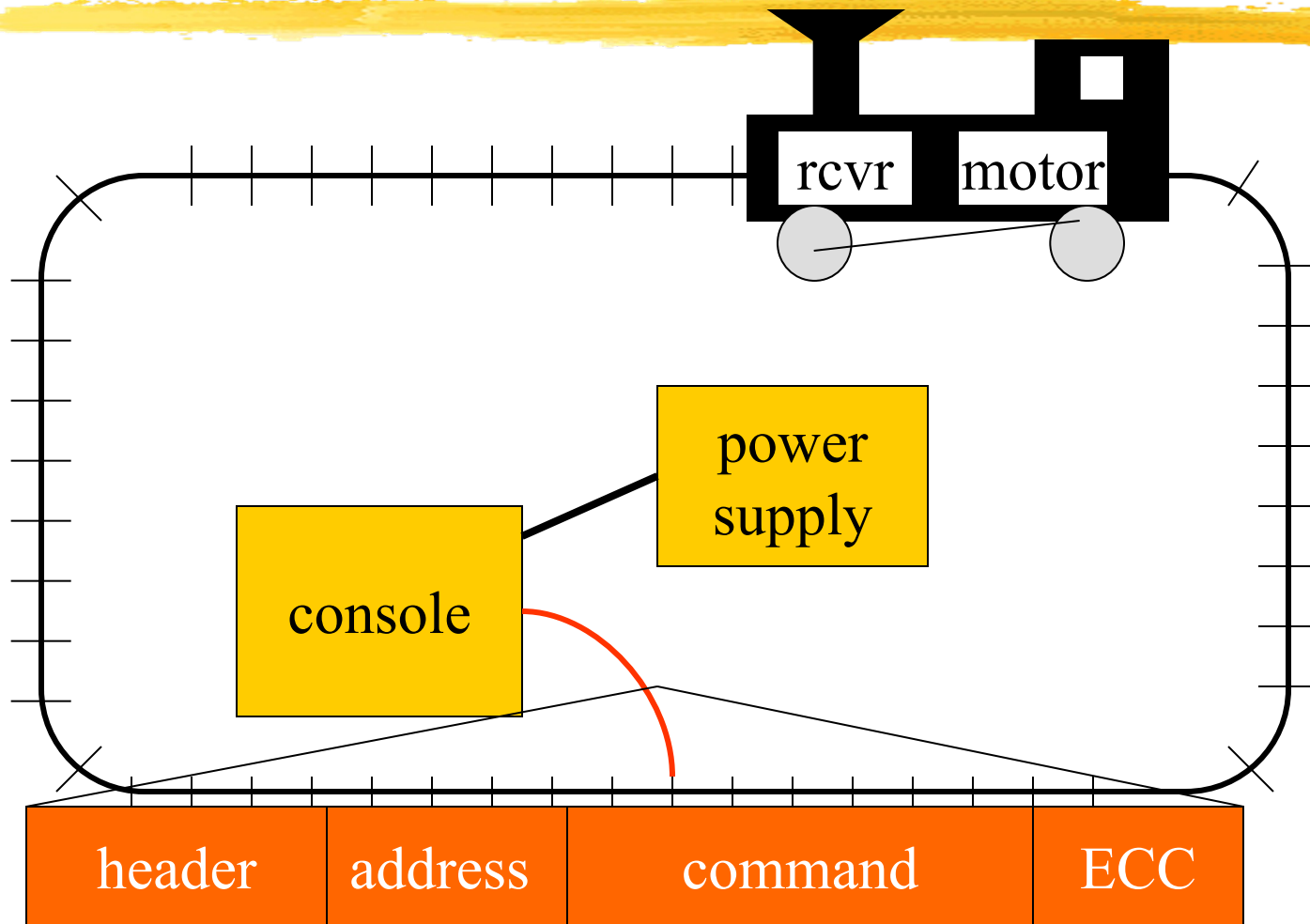
- Example: model train controller.

Purposes of example



- Follow a design through several levels of abstraction.
- Gain experience with UML.

Model train setup



Requirements



- Console can control 8 trains on 1 track.
- Throttle has at least 63 levels.
- Inertia control adjusts responsiveness with at least 8 levels.
- Emergency stop button.
- Error detection scheme on messages.

Requirements form



name	model train controller
purpose	control speed of ≤ 8 model trains
inputs	throttle, inertia, emergency stop, train #
outputs	train control signals
functions	set engine speed w. inertia; emergency stop
performance	can update train speed at least 10 times/sec
manufacturing cost	\$50
power	wall powered
physical size/weight	console comfortable for 2 hands; < 2 lbs.

Conceptual specification



- Before we create a detailed specification, we will make an initial, simplified specification.
 - Gives us practice in specification and UML.
 - Good idea in general to identify potential problems before investing too much effort in detail.

Basic system commands



command name

parameters

set-speed

speed
(positive/negative)

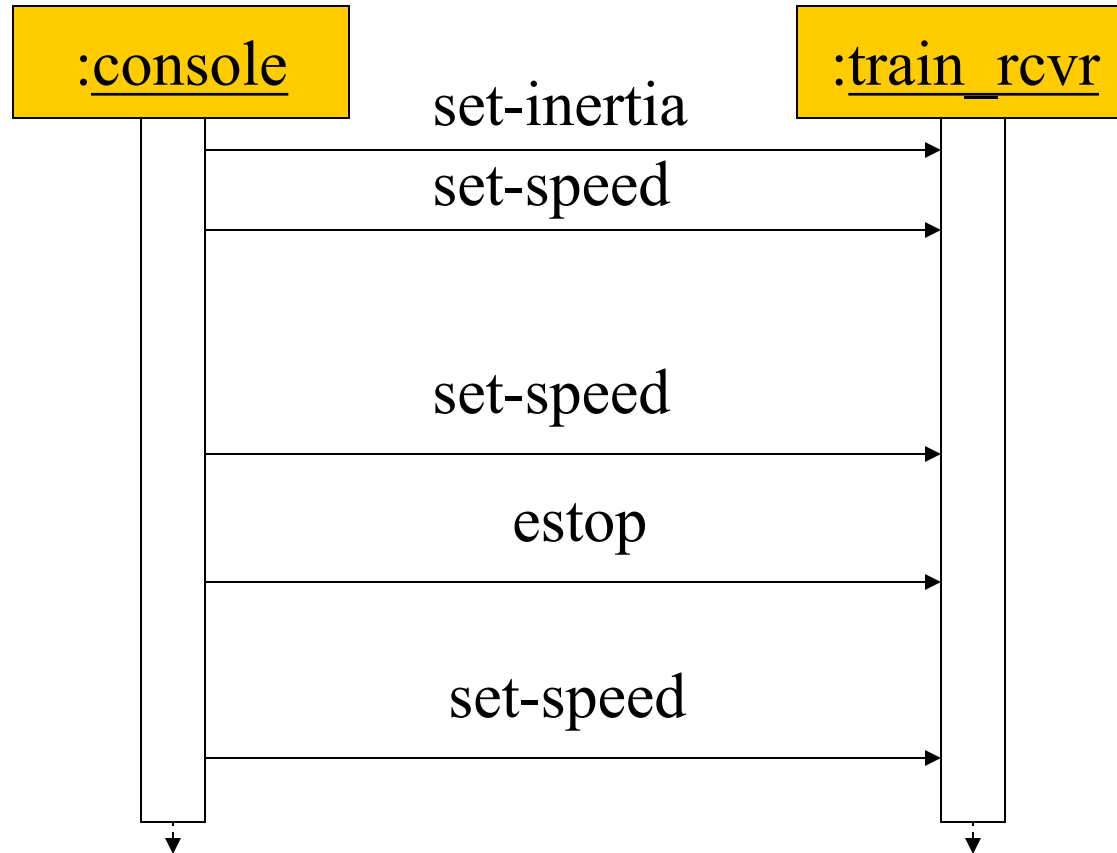
set-inertia

inertia-value (non-
negative)

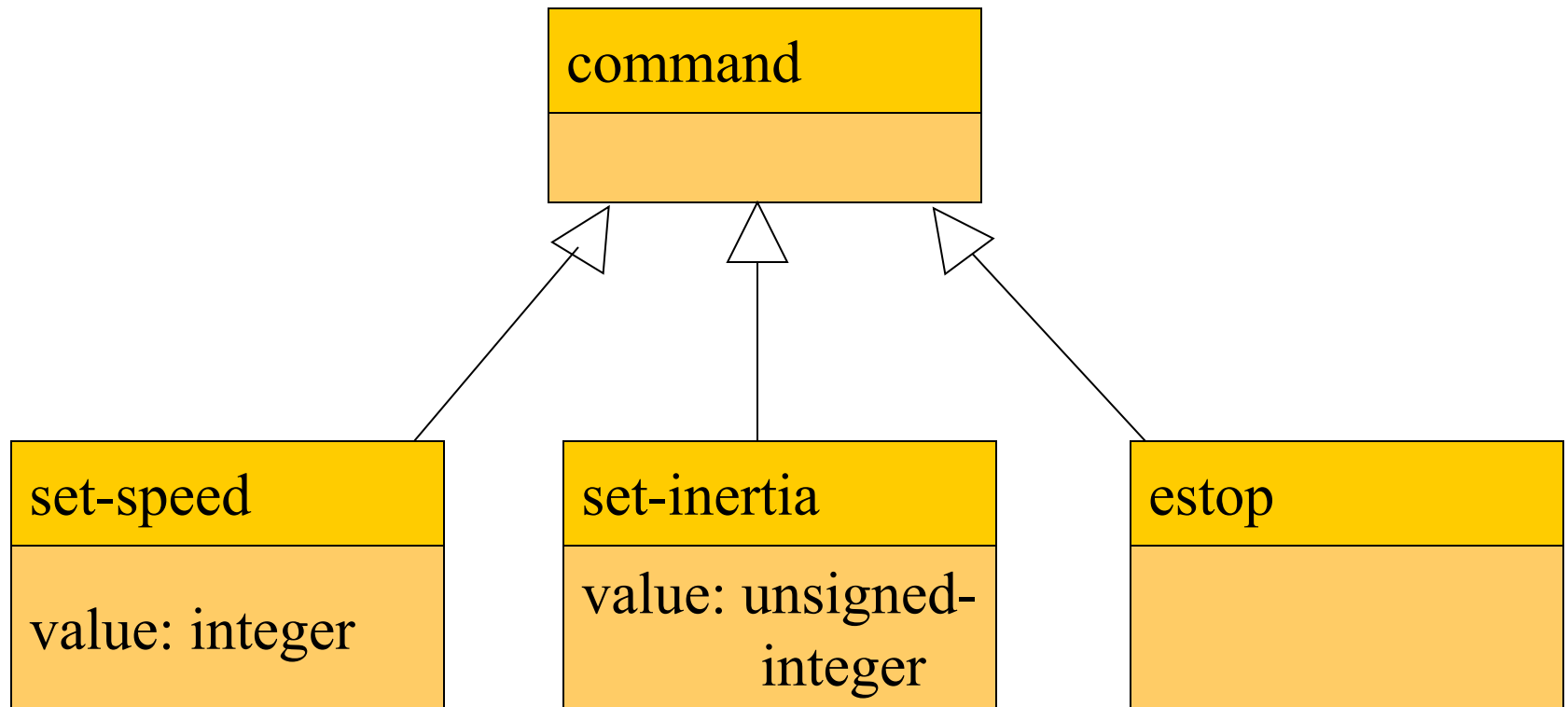
estop

none

Typical control sequence



Message classes



Roles of message classes



- Implemented message classes derived from message class.
 - Attributes and operations will be filled in for detailed specification.
- Implemented message classes specify message type by their class.
 - May have to add type as parameter to data structure in implementation.

Subsystem collaboration diagram

Shows relationship between console and receiver (ignores role of track):



System structure modeling



- Some classes define non-computer components.
 - Denote by *name.
- Choose important systems at this point to show basic relationships.

Major subsystem roles



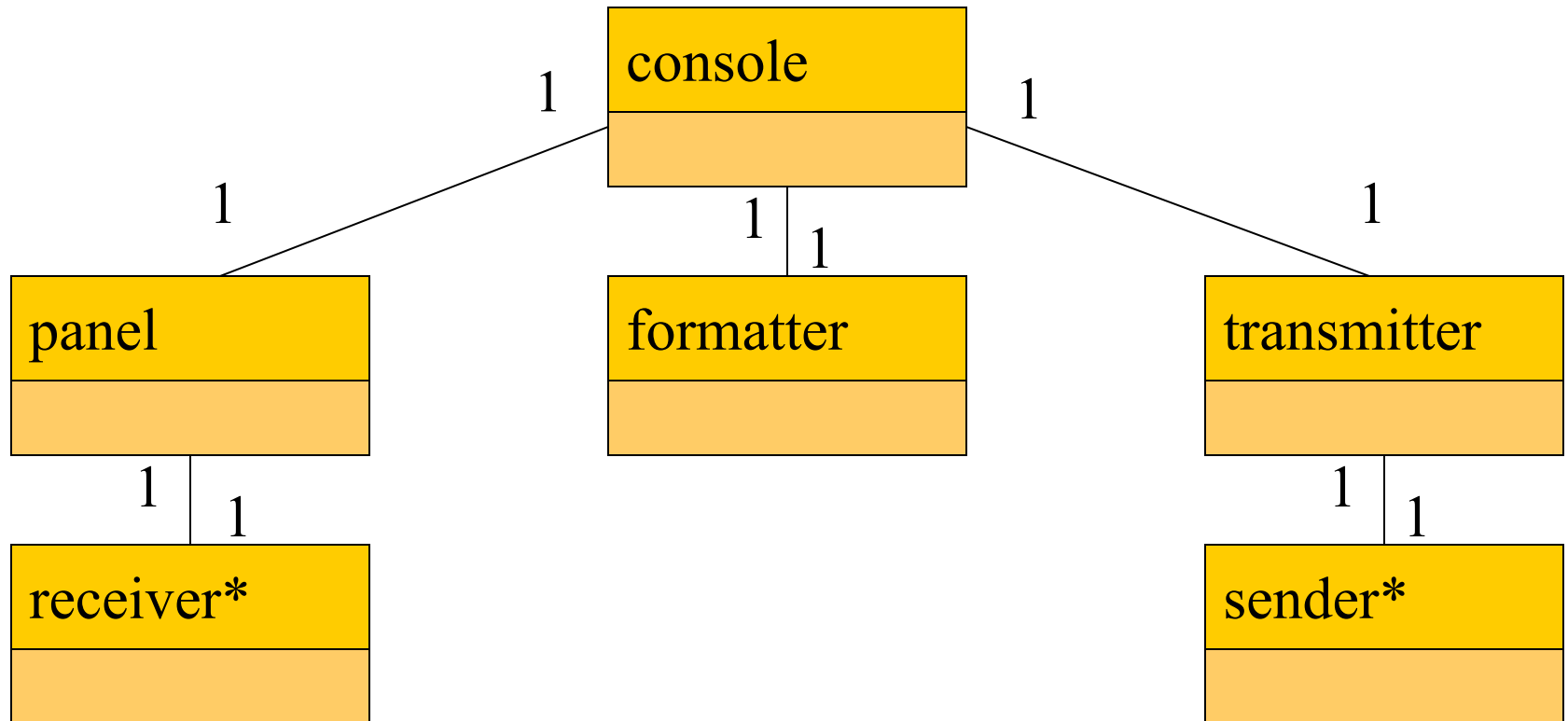
■ Console:

- read state of front panel;
- format messages;
- transmit messages.

■ Train:

- receive message;
- interpret message;
- control the train.

Console system classes

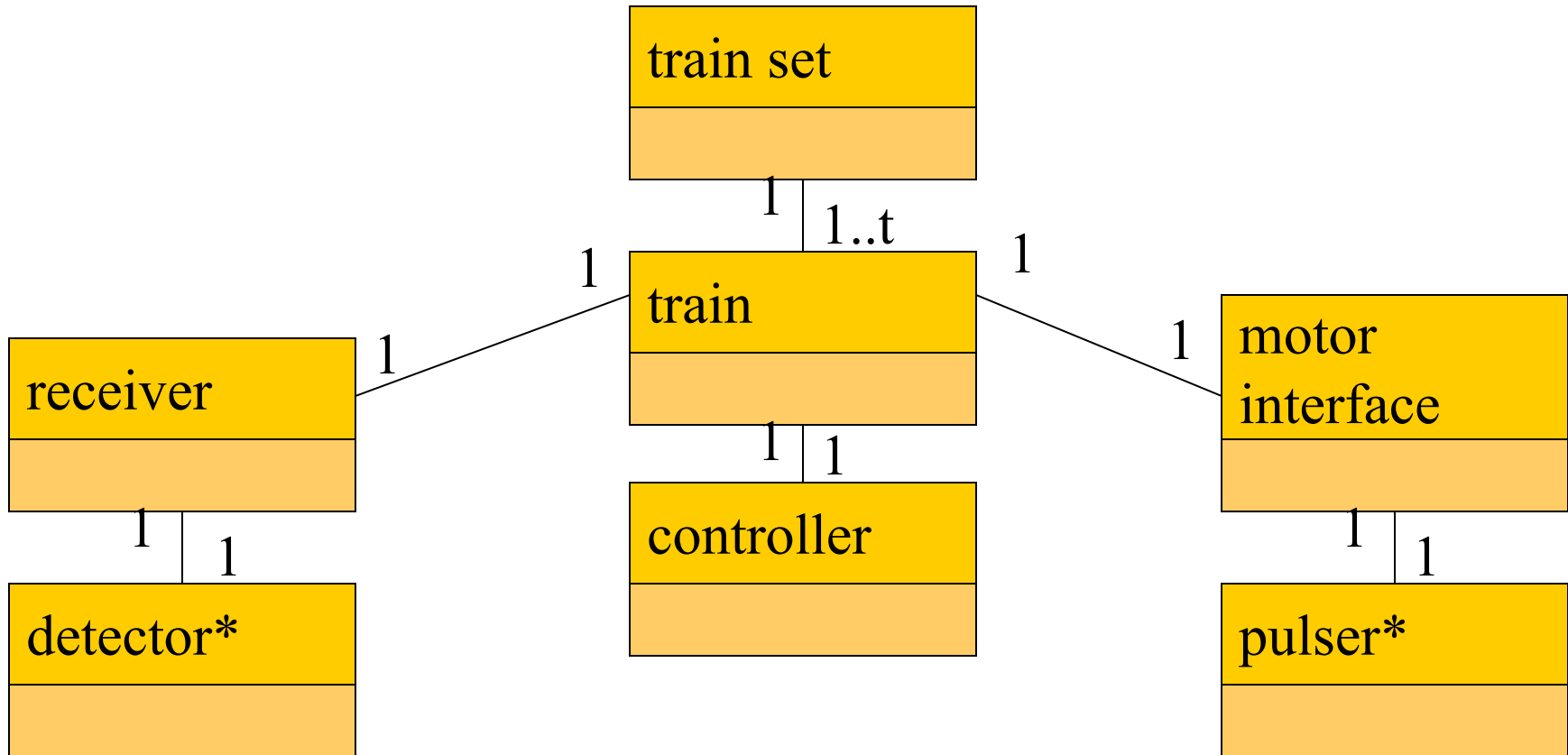


Console class roles



- **panel**: describes analog knobs and interface hardware.
- **formatter**: turns knob settings into bit streams.
- **transmitter**: sends data on track.

Train system classes



Train class roles



- **receiver**: digitizes signal from track.
- **controller**: interprets received commands and makes control decisions.
- **motor interface**: generates signals required by motor.

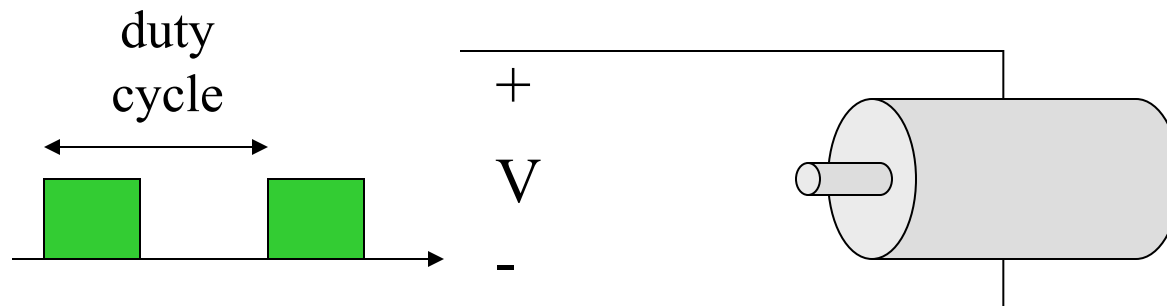
Detailed specification



- We can now fill in the details of the conceptual specification:
 - more classes;
 - behaviors.
- Sketching out the spec first helps us understand the basic relationships in the system.

Train speed control

- Motor controlled by pulse width modulation:



Console physical object classes

knobs*

train-knob: integer
speed-knob: integer
inertia-knob: unsigned-integer
emergency-stop: boolean

mouse_click()
draw_box

pulser*

pulse-width: unsigned-integer
direction: boolean

sender*

send-bit()

detector*

read-bit() : integer

Panel and motor interface classes

panel
train-number() : integer speed() : integer inertia() : integer estop() : boolean new-settings()

motor-interface
speed: integer

Class descriptions



- panel class defines the controls.
 - new-settings() behavior reads the controls.
- motor-interface class defines the motor speed held as state.

Transmitter and receiver classes

transmitter
send-speed(adrs: integer, speed: integer) send-inertia(adrs: integer, val: integer) set-estop(adrs: integer)

receiver
current: command new: boolean
read-cmd() new-cmd() : boolean rcv-type(msg-type: command) rcv-speed(val: integer) rcv-inertia(val: integer)

Class descriptions



- transmitter class has one behavior for each type of message sent.
- receiver function provides methods to:
 - detect a new message;
 - determine its type;
 - read its parameters (estop has no parameters).

Formatter class



formatter

current-train: integer

current-speed[ntrains]: integer

current-inertia[ntrains]:

unsigned-integer

current-estop[ntrains]: boolean

send-command()

panel-active() : boolean

operate()

Formatter class description



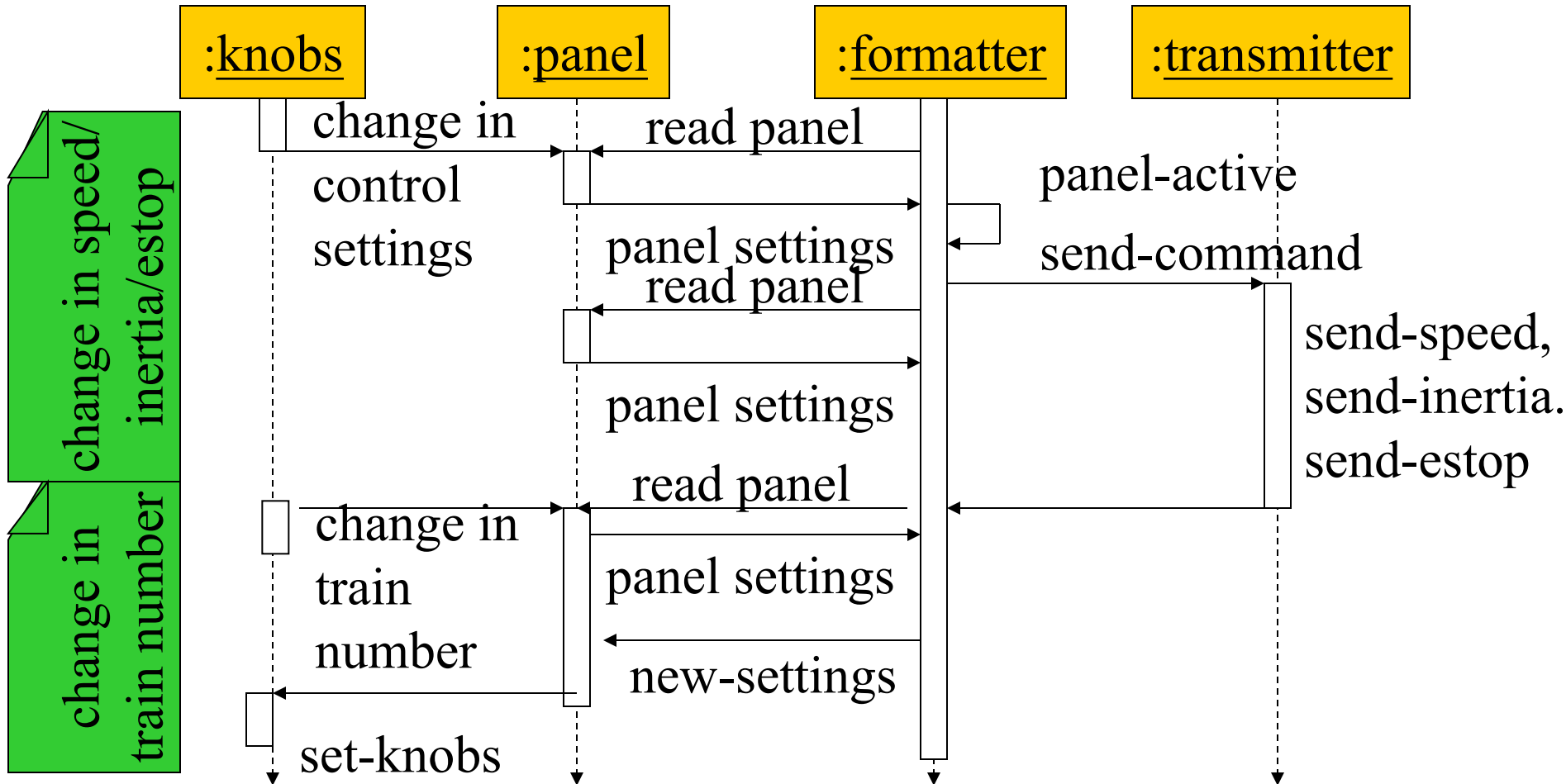
- Formatter class holds state for each train, setting for current train.
- The operate() operation performs the basic formatting task.

Control input cases

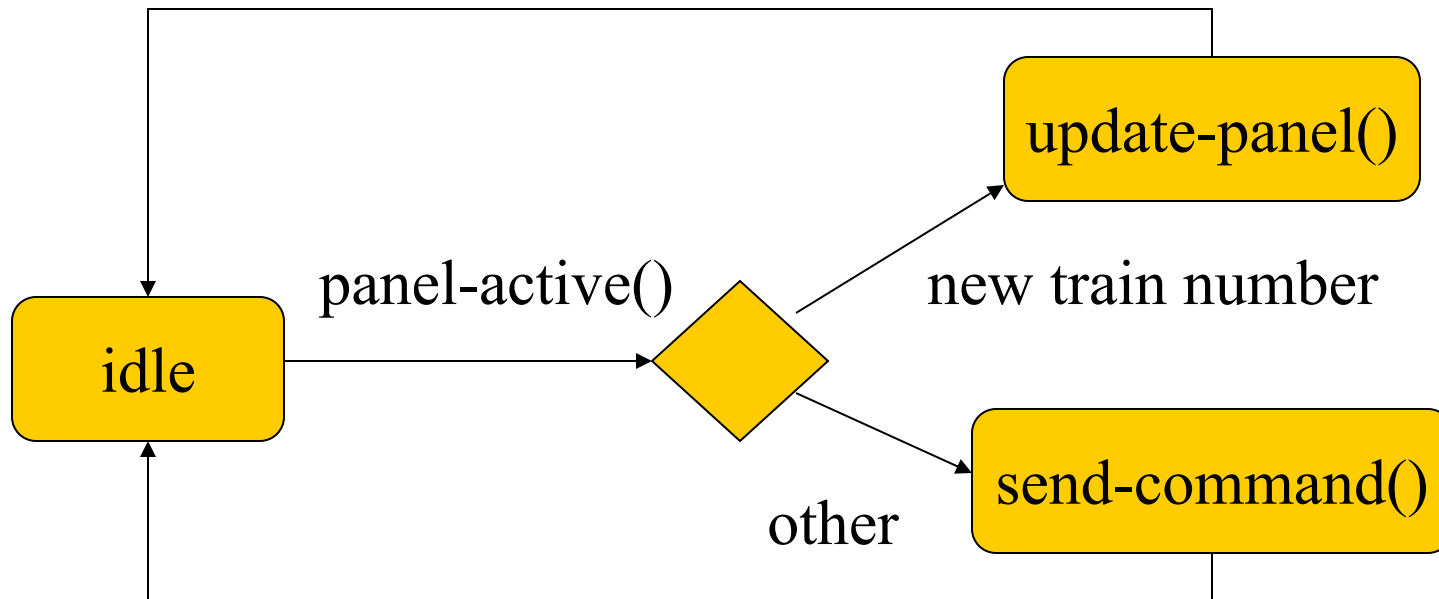


- Use a soft panel to show current panel settings for each train.
- Changing train number:
 - must change soft panel settings to reflect current train's speed, etc.
- Controlling throttle/inertia/estop:
 - read panel, check for changes, perform command.

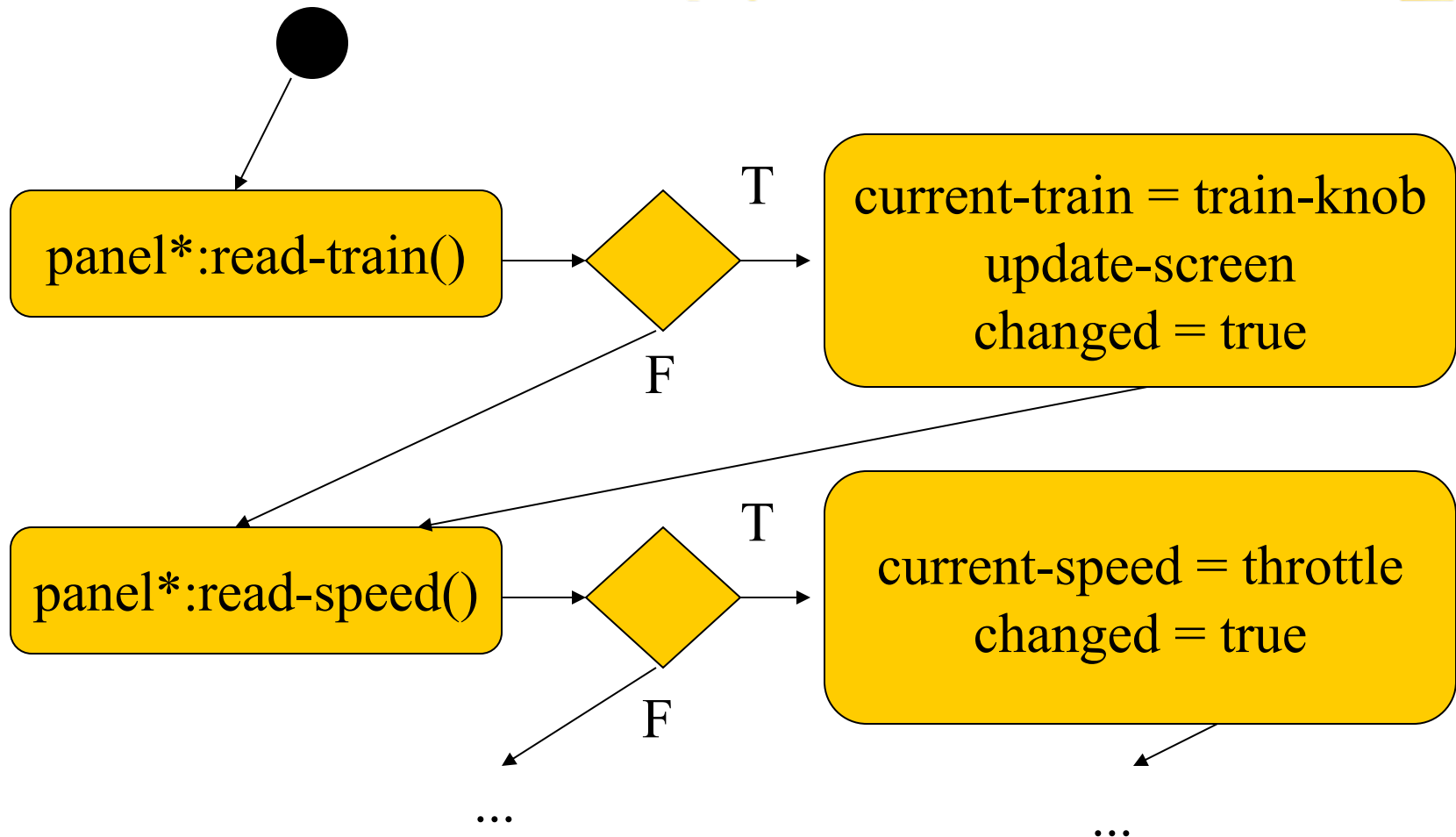
Control input sequence diagram



Formatter operate behavior



Panel-active behavior



Controller class



controller

current-train: integer

current-speed[ntrains]: integer

current-direction[ntrains]: boolean

current-inertia[ntrains]:
unsigned-integer

operate()

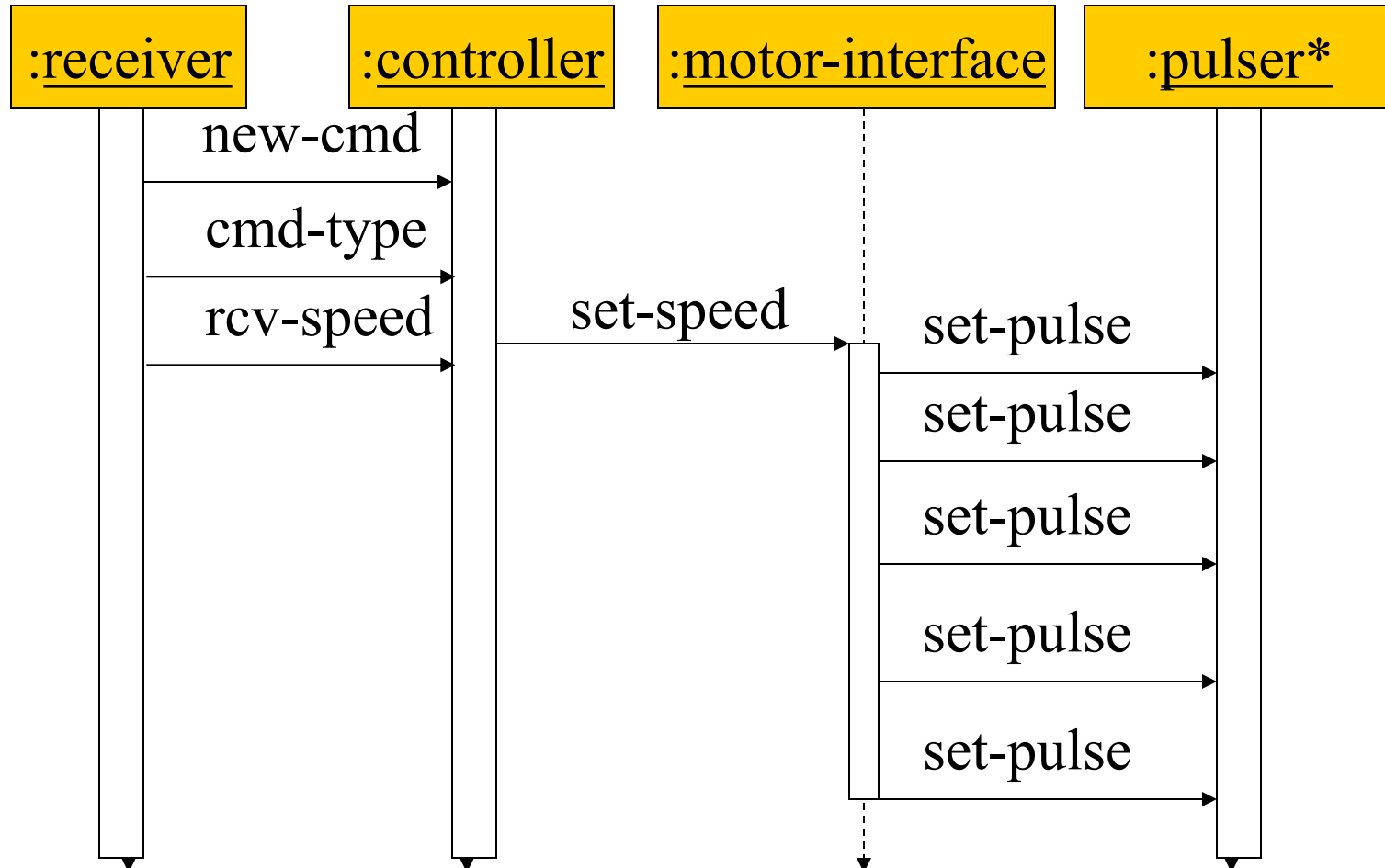
issue-command()

Setting the speed

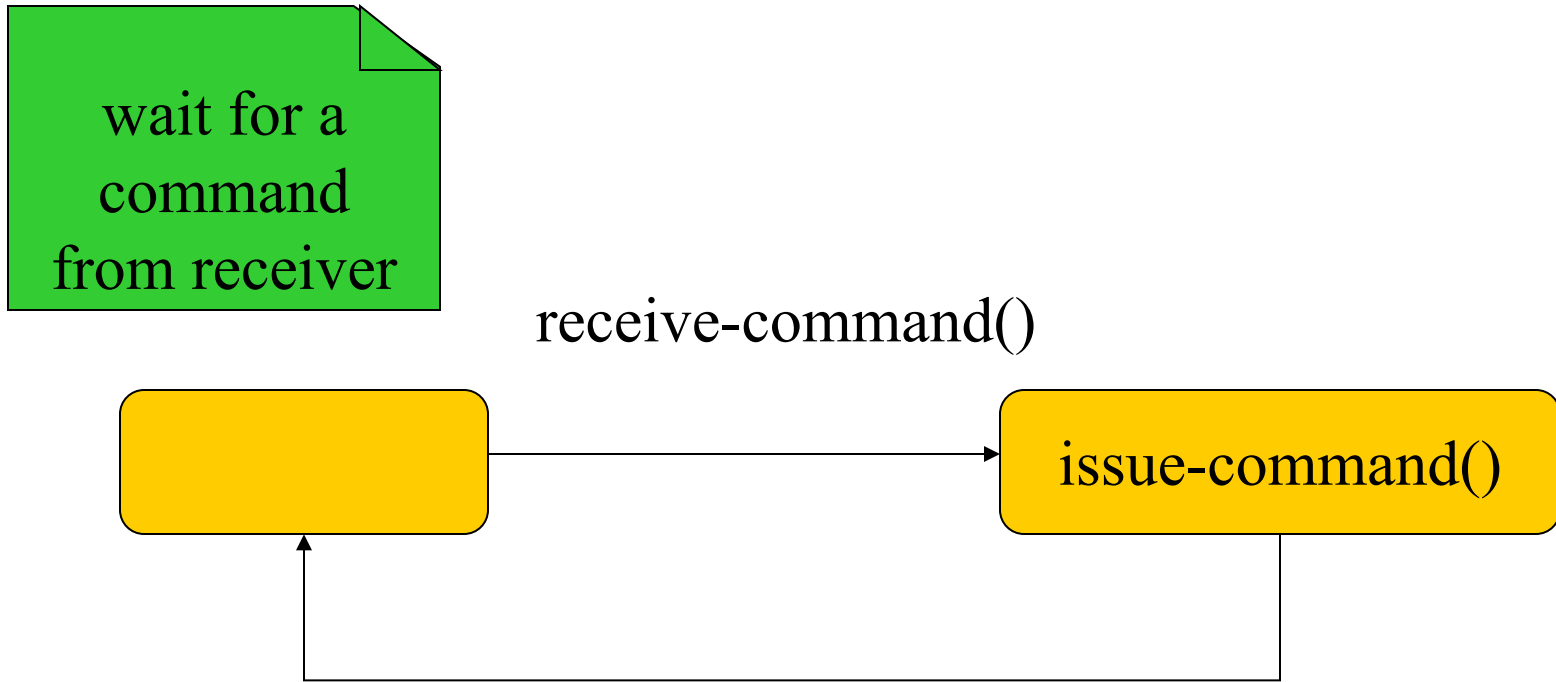


- Don't want to change speed instantaneously.
- Controller should change speed gradually by sending several commands.

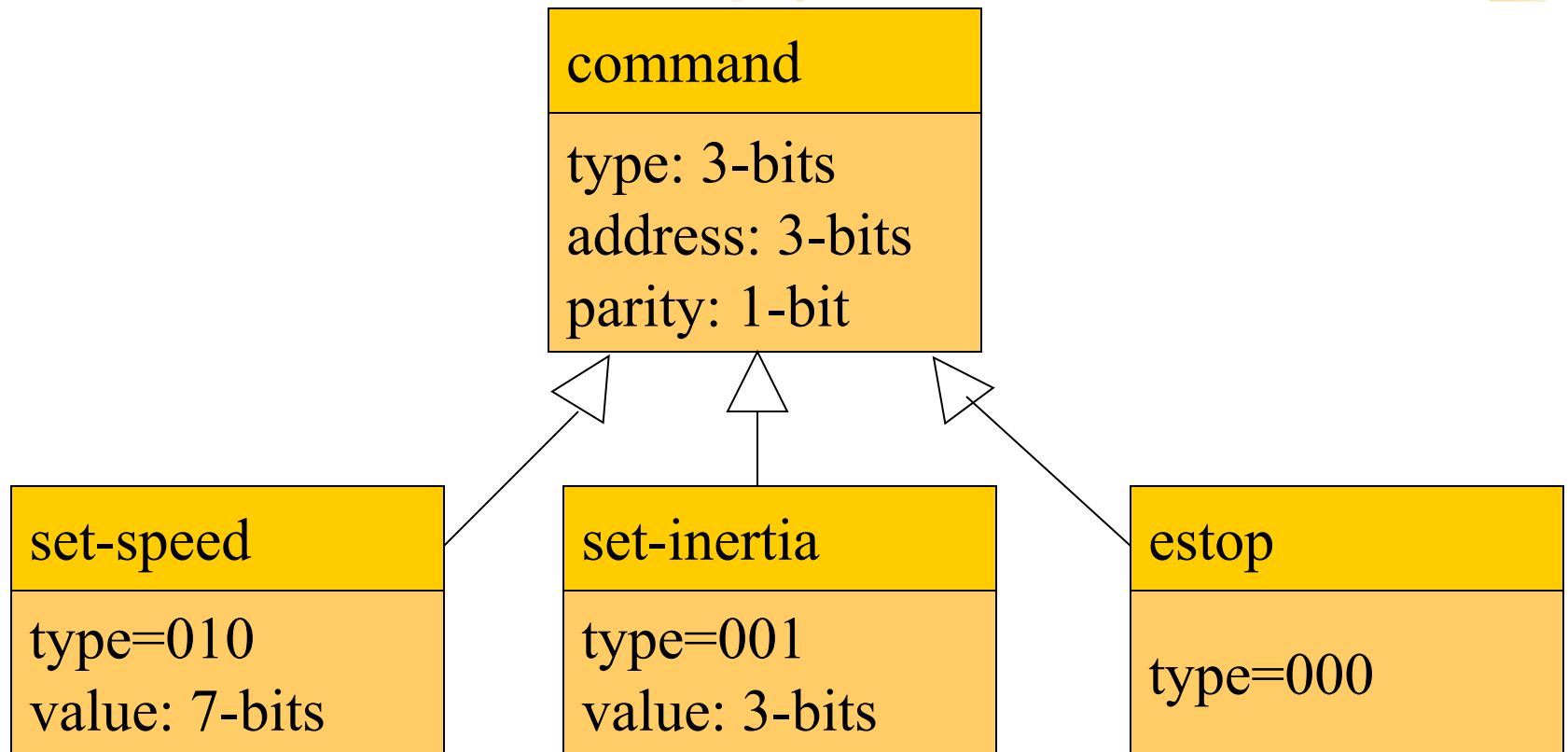
Sequence diagram for set-speed command



Controller operate behavior



Refined command classes



Summary



- Separate specification and programming.
 - Small mistakes are easier to fix in the spec.
 - Big mistakes in programming cost a lot of time.
- You can't completely separate specification and architecture.
 - Make a few tasteful assumptions.